

Manufactures machines for processing seed, grain and dry leguminous vegetables

## Laboratory Seed Pre-Cleaner VIBRATORY Sieve SEPARATOR

Product Code C.SAS-0013/ 50x80  
C.SAS-0013/ 25x40



www.akyurek.com

### FUNCTION

- Compact and easy to move
- Used in seed plants for sampling large lots
- Popular with vegetable and flower growers and in seed stores for specialized cleaning, grading, and sizing
- Many laboratory uses
- Scalper and sifter screens are standard with over 150 sizes to choose from
- Shoe uses two 10" x 15" screens, one for the top and the other for the lower separation area

### ADJUSTABLES

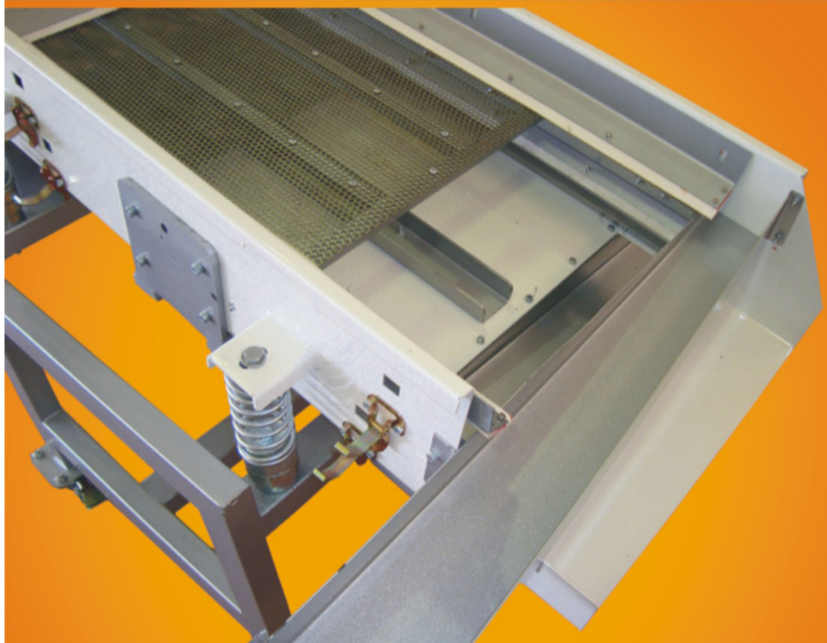
- Vibration Speed
- Vacuum Channel Height
- Interchangeable Screens
- Deck Slope
- Hooper Feeder Gate
- Fan Speed

MODEL	Screens No	Screens WxL (mm)	Drives		Air intake m <sup>3</sup> /h	Hooper Capacity	
			Cleaner kW	Aspirator kW		m <sup>3</sup> /h	i.e. Wheat kg
C.SAS-0013/25X40	2	250x400	0,75	0,37	250	0,0063	5
C.SAS-0013/50X80	2	500x800	0,75	0,37	250	0,01395	10

MODEL	Over All Dimensions (mm)				Seed Boxes		Table Top Surface Area	Shipment V(m <sup>3</sup> ) in Total	Weight in Total
	Cleaner LxWxH	Hooper LxWxH	Aspirator LxWxH	Cyclone Diameter xH	Out Put LxWxH	Scalping+ Screening LxWxH			
C.SAS-0013/25X40	500 350 460	280 250 660	400 400 828	350 828	250 104 150	100 104 180	1m <sup>2</sup>	0,5	71
Weight: (kg)	35	5	15	8	4	(2+2) 4			
C.SAS-0013/50X80	900 600 460	310 500 660	400 400 828	350 828	500 104 180	100 104 180	0,56m <sup>2</sup>	1	90
Weight: (kg)	50	8	13	8	7	(2+2) 4			



## Laboratory Seed Pre-Cleaner Complete System



### Optional Helper Equipment

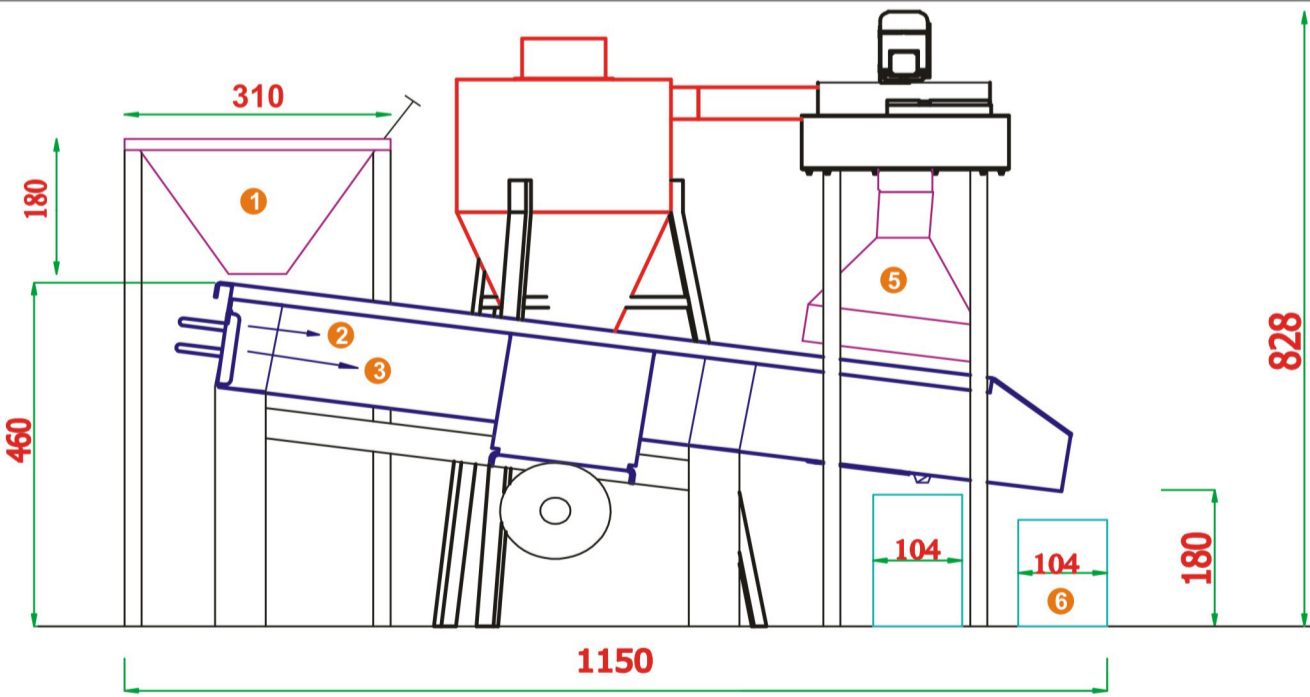
- Hooper
- Aspirator
- Mini Cyclone
- Digital Scale
- Steel Table

### Supplied With

- Sample Seed Cleaning Log Book
- Tool Box
- User Manual



### Complete System Dimensions



### Operation

#### Typical Commodity Flow

- (1) The commodity is fed to the hopper and is spread evenly across the full width of the top screen.
- (2) The product then moves across the top screen, which has openings larger than the product itself. The large foreign material is "scalped" off while the good product falls through the screen.
- (3) The bottom screen can either sift or scalp. To set up for sifting, the bottom screen openings must be smaller than the commodity being cleaned. Trash, weed seeds and splits drop through the bottom screen while the good product passes over it. When scalping, the screen openings must be larger than the product itself. The large foreign material is "scalped" off while the good product falls through the screen.
- (4) Next, the product is routed through a column of air from the top air suction fan. This suction of air effectively removes any lightweight trash and dust that may have remained after screening.
- (5) Lightweight trash is collect by a cyclone in a bag. Exhausts air leaves the cyclone through a filter.
- (6) Good, clean product is discharged at the bottom of the air chamber into a clean seed box.

