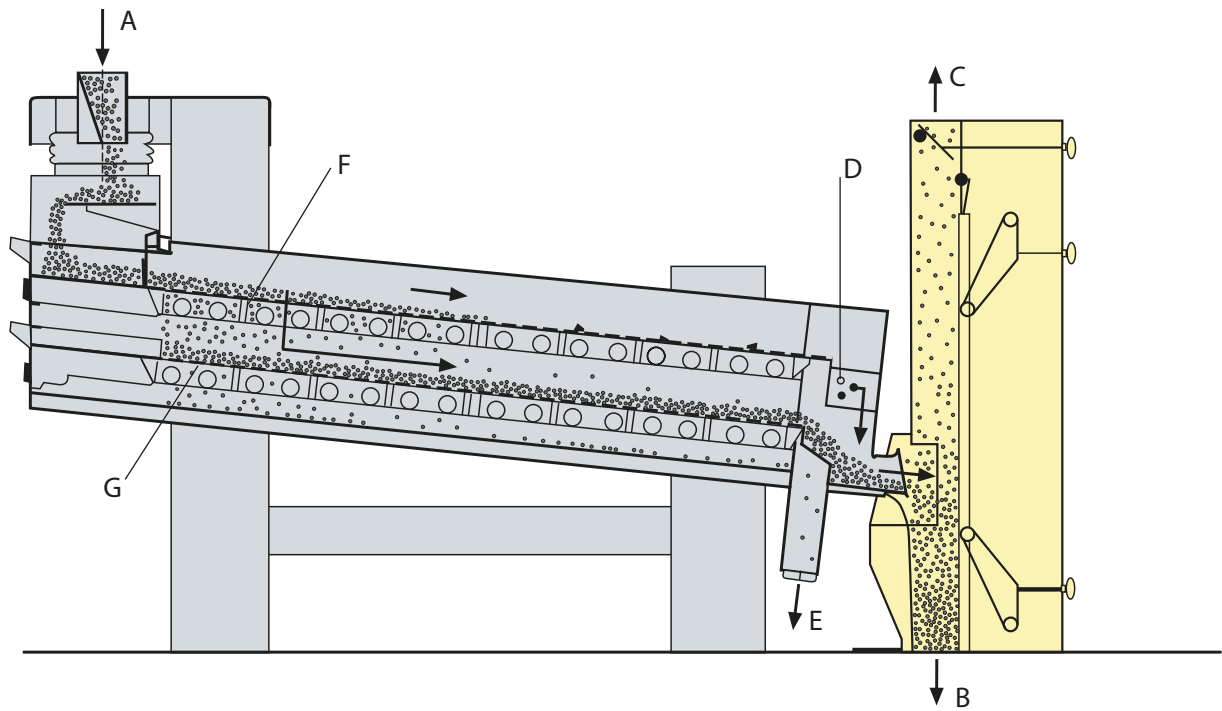




## VIBRATORY SIEVE SEPARATOR AIR-RECYCLING ASPIRATOR



- A) Product Input
- B) Product Output
- C) Aspiration Connection
- D) Oversize Output Chute
- E) Undersize Output Chute
- F) Oversize Screen
- G) Undersize Screen

### Wide range of applications

Akyurek VSP- Vibro Sieve Separator is implemented in separation of Oversize and Undersize admixtures from seed lot in...  
 Grain ;wheat, durum, corn/maize, rye, soybean, oat, buckwheat, spelt, millet, and rice mills for basic cleaning  
 Pulse; beans, lentil, chickpea, pigeon pea, yellow pea, vetch for basic cleaning  
 Spices; cumin, coriander, mustard, Caraway, black pepper, Clover and Fennel for basic cleaning  
 Oil Seeds; sesame, sunflower seed, pumpkin seed, flax, pistachio, rape, safflower for basic cleaning  
 or in bulk storage systems for pre-cleaning.

In addition, the machine is also successfully used in animal feed production plants, seed treatment systems, oilseed cleaning installations, and cocoa bean grading systems.

In addition, it grades a wide variety of products by size.

Efficient grain cleaning at high throughput rates

- Using a screen separation system, the Separator VSS separates the grain from coarse impurities such as oversize grains, strings, straw, wood, stones and pebbles, or clods of earth plus fine impurities such as sand or broken grains.
- The VSS achieves high throughputs up to 24 t/h in cleaning applications and 100 t/h in pre-cleaning applications in bulk storage installations.
- As an option, it is possible to install a downstream aspiration channel or air-recycling aspirator in order to separate low-density particles such as dust, hull particles, or husks and thus to optimize the cleaning result.



## Operation

The product is fed to the machine by means of the inlet stub-pipe, and then moved to the front part of the sieve basket where the grain distribution device spreads the grain across the whole sieve width. On the first sieve deck, impurities larger than cereal grain are separated and moved out of the machine. The throughs from the first sieve deck move to the second sieve deck where impurities smaller than cereal grain are separated. These impurities are collected in the bottom of the sieve basket from where they are discharged. The overtails from the second sieve deck represents the good grain which leaves the sieve separator, either to the basic aspiration case (for dust removal) or to a pneumatic channel where a jet of pressurized air separates impurities lighter than grain. In the pneumatic channel, the air flow rate can be precisely adjusted by means of the moving back channel wall, which allows for very accurate separation by specific weight.

## Construction

The vibratory sieve separator consists of:

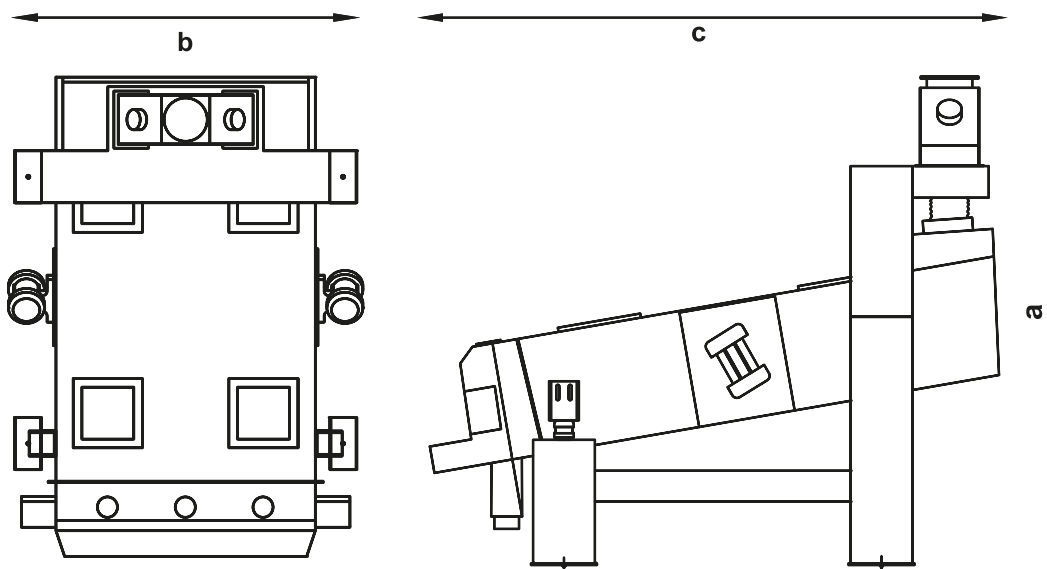
- sieve basket with two decks of sieves and product inlet and outlet.
- supporting frame.
- drive consisting of two electric vibrators mounted to sieve basket sides.
- outlet stub-pipes for outputting impurities.
- aspiration case or pneumatic channel, depending on the version of the machine.
- Perforated Screen and ball trays are separate.

## Advantages:

- Speed and capacity adjustment with inverter
- Drive by electric vibratory motors for negligible maintenance and highly effective screening.
- Choice of aspiration systems from basic aspiration case to high performance pneumatic channels, as follows:

Version "A" - separator with basic aspiration case - for removal of dust.

Version "B" - blower located below the sieve basket in separator frame to blow dust of cleaned product.



Models	In put Cleaning Capacity		Sieve Size W x L (mm)	Air Volume Pneumatic Channel Cubic Meter/h	Drives			Overall Diemensions (mm)			
	Silo Pre-Clean t/h	Mill High Perf. t/h			Screen Deck (kW)	Pneumatic Channel (kW)	A	B	C		
<b>C.SAS-013 100x200</b>	58	15	1000x2000	4800	2 x 0,50	1500 rpm	4	1400 rpm	3000	1600	2020
<b>C.SAS-013 150x200</b>	65	18	1500x2000	4800	2 x 0,75	1500 rpm	4	1400 rpm	3000	2100	2020

Please note that the input and output quantities that can be obtained interdependent anc also depend on the input contamination. The through-put capacities shown are also dependent on the input contamination and the required quality of output. Also ancthe capacity element is if cleaner machine working alone or integrated to a cleaning plant.



# AIR RECYCLING ASPIRATOR



## Work Principle

The air-recycling aspirator ARA is applied for the separation of low-density particles in an aspiration channel from granular products such as soft wheat, rye, barley, oats, beans, chickpeas, sunflower seeds, Sesame Seeds, corn (maize). High degree of separation thanks to excellent separating efficiency.

The air-recycling aspirator ARA is characterized by its excellent separating efficiency, which ensures a high degree of separation.

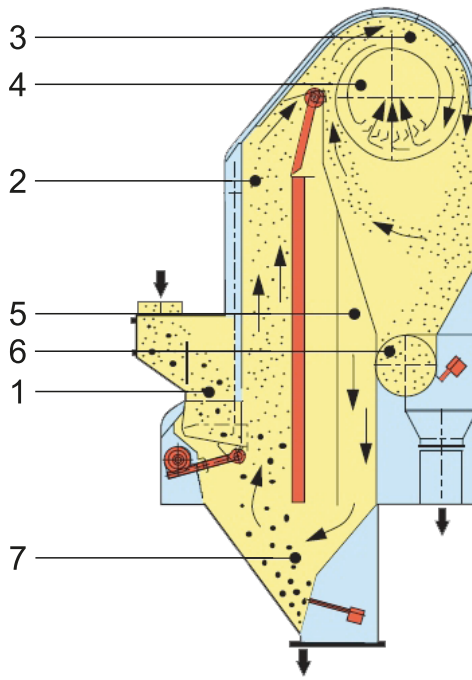
The uniform distribution of the air across the entire width of the aspiration channel ensure stable and reliable separation.

The degree of separation can be selected with high precision, preventing unnecessary product loss.



# Air-Recycling Aspirator

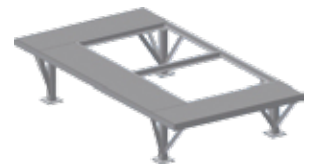
- 1- Product feed with eccentric drive
- 2- Aspiration channel with double adjustable wall
- 3- Integrated separator for low density product
- 4- Radial fan for recycling air
- 5- Air recycling channel
- 6- Screw conveyor with discharge gate for low-density product
- 7- Outlet with finger valves for discharge of heavy product



## Optional Helper Equipments

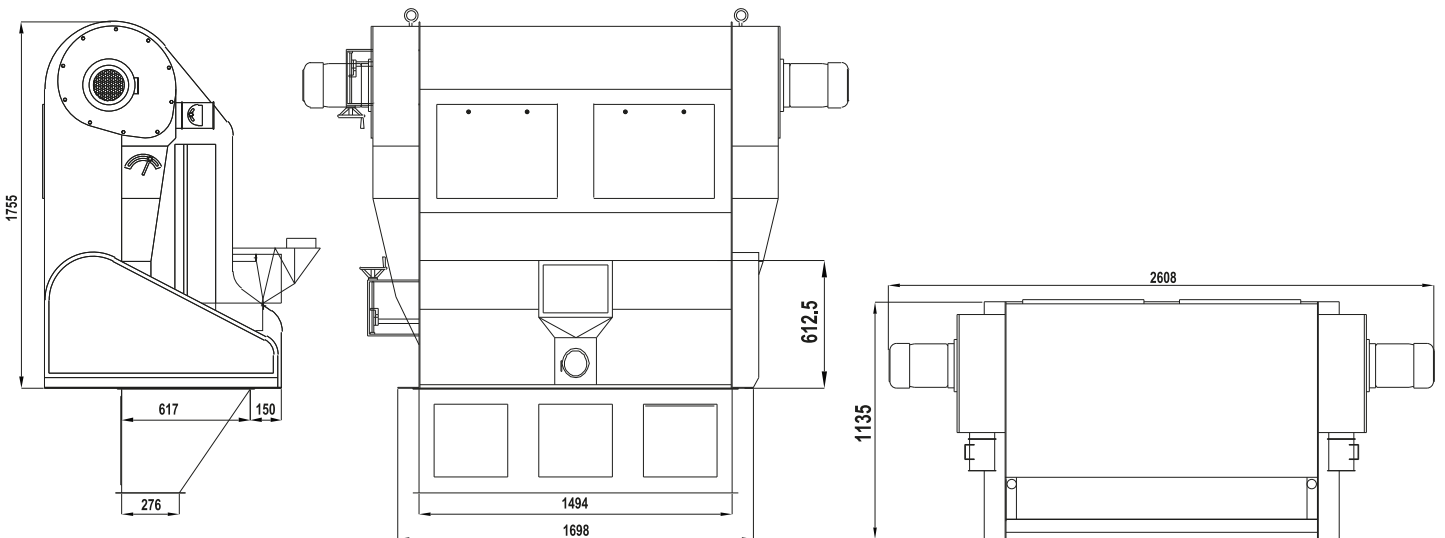


**Pre-Cleaner Vibratory Sieve Separator**

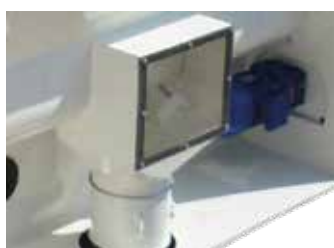


**Platform**

## Model ARA-150 Technical Drawing



## Detailed Photos



# VIBRATORY SIEVE SEPARATOR AIR-RECYCLING ASPIRATOR



Akyürek Kardeşler Tarım Ürünleri  
Makinaları Taşımacılık Madencilik  
San. Tic. Ltd. Şti.



Karaduvar Mahallesi 65117 Sokak  
No:37 Mersin / TÜRKİYE

Telefon : +90 324 237 47 48 – +90 324 234 47 59  
          : +90 324 234 37 14 – +90 324 234 47 10  
Faks : +90 324 234 47 07  
E-posta : info@akyurekltd.com  
Web : www.akyurekltd.com

Akyürek Kardeşler Tarım Ürünleri  
Makinaları Taşımacılık Madencilik  
San. Tic. Ltd. Şti.



Karaduvar Avenue 65117 Street  
No:37 Mersin / TURKEY

Phone : +90 324 237 47 48 – +90 324 234 47 59  
          : +90 324 234 37 14 – +90 324 234 47 10  
Fax : +90 324 234 47 07  
E-mail : info@akyurekltd.com  
Web : www.akyurekltd.com

Акюрек Братья Сельскохозяйственной  
Продукции Машины Горно-  
Транспортной  
Сан. Tic. Ltd. STI.



Российская Федерация, Краснодарский край,  
г.Краснодар,Калининский сельский округ,  
п. Победитель, участок № 5 / RUSSIA  
Почтовый Индекс : 350056  
телефон : +7 988 389 41 80  
Электронной почте : info@akyurek.ru  
Web : www.akyurek.ru



CE  
ISO 9001 - 2008  
QUALITY ASSURANCE

+90 444 6 259

[www.akyurekltd.com](http://www.akyurekltd.com)

Akyürek Kardeşler San.Tic.Ltd.Şti. Have all the copyrights of the information and pictures provided in this catalogue. We have all rights to do necessary adjustments on the product & these changes may not reflect on the catalogue at the moment of production. We will do our utmost to inform you all the changes if and when.